

Poly Spill Pallets

SPP104



Acquired CE Certification, comply with the regulations of EPA 40 CFR 264.175 of EPA and SPCC as well as U.S. NPDES.

Poly Spill Pallets

The pallet can hold a lot of spilled fluids, which helps store and transship oil drums, chemical barrels and other containers you need for spill prevention and control; hexagonal drain plug facilitates drainage; overlay structure saves space and transportation costs.

Poly Spill Pallets

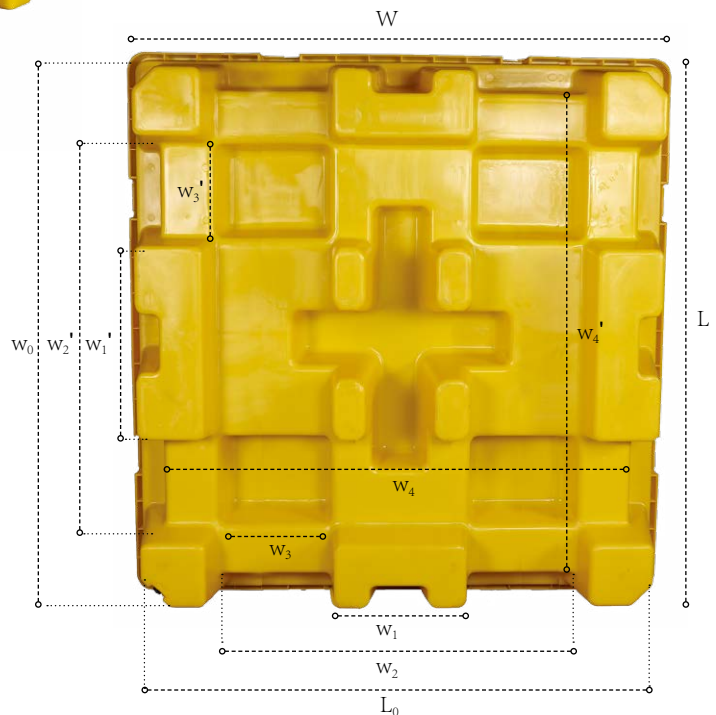
Product	200L Drum Quantity	Capacity (Gal/L)	Loading Capacity (Kgs.)	Ext.Dimensions (H×L×W/cm)	Forklift Operation	Model
Spill Pallet Poly Spill Pallet(4 Drum)	4	68/260	3000	30×130×128	Quadridirectional operation	SPP104

SYSBEL Poly Spill Pallets Structure Specification



name	Dimension (cm)
h: Height of the fork pocket	10
w ₀ : Width of the fork pocket(Min)	21.5
H: Height of the fork pocket	30

name	Dimension (cm)
L: Length of the Poly Spill Pallets	130
W: Width of the Poly Spill Pallets	128
w ₁ : Width of the pedestal between the fork pocket (Min)	33
w ₁ ': Width of the pedestal between the fork pocket (Max)	45
w ₂ : Separation distance of 2 fork pockets from the border(Min)	84
w ₂ ': Separation distance of 2 fork pockets from the border(Max)	88
w ₃ : Width of the fork pocket(Max)	25.7
w ₃ ': Width of the fork pocket(Min)	21.5
w ₄ : Depth of the fork pocket(Min)	111
w ₄ ': Depth of the fork pocket(Max)	114
L ₀ : Length of the Poly Spill Pallets	120
w ₀ : Width of the Poly Spill Pallets	116



Chemical Spill Prevention and Control

- Thicker side border and central load-bearing structure is very strong, which can firmly carry fully- loaded oil drums, chemical barrels and other storage containers and equipment.
- Polyethylene material, anti-UV, anti-rust, anti-corrosion, suitable for most chemicals.
- Orange anti-skid gratings, it will not rupture at full load, and the gratings are removable, easy for rapid treatment of liquid spill.
- The tray can use forklift, platform can spill by leaking into sheng workstation.
- Help to keeping the floor dry to avoid slip and fall
- All sheng drip tray and platforms can be nested stack, ensure orderly storage and leakage prevention of oil drums and chemical barrels
- In line with the regulations of EPA 40 CFR 264.175 of the U.S. Environmental Protection Agency (EPA) and the regulations of Spill Prevention and Control Act (SPCC) as well as U.S. NPDES.



2-drum spill pallets with stackable structure save space and transportation costs



Hexagonal drain plug facilitates drainage



2-drum and 4-drum spill pallets with stackable structure save space and transportation costs



2-drum and 4-drum spill pallets have forklift slots for convenient forklift operation to improve efficiency (*forklift overload prohibited)



Hydraulic carrying vehicles can also be used to move pallets, which is more convenient



Poly spill pallet ramps make it easier to move large articles